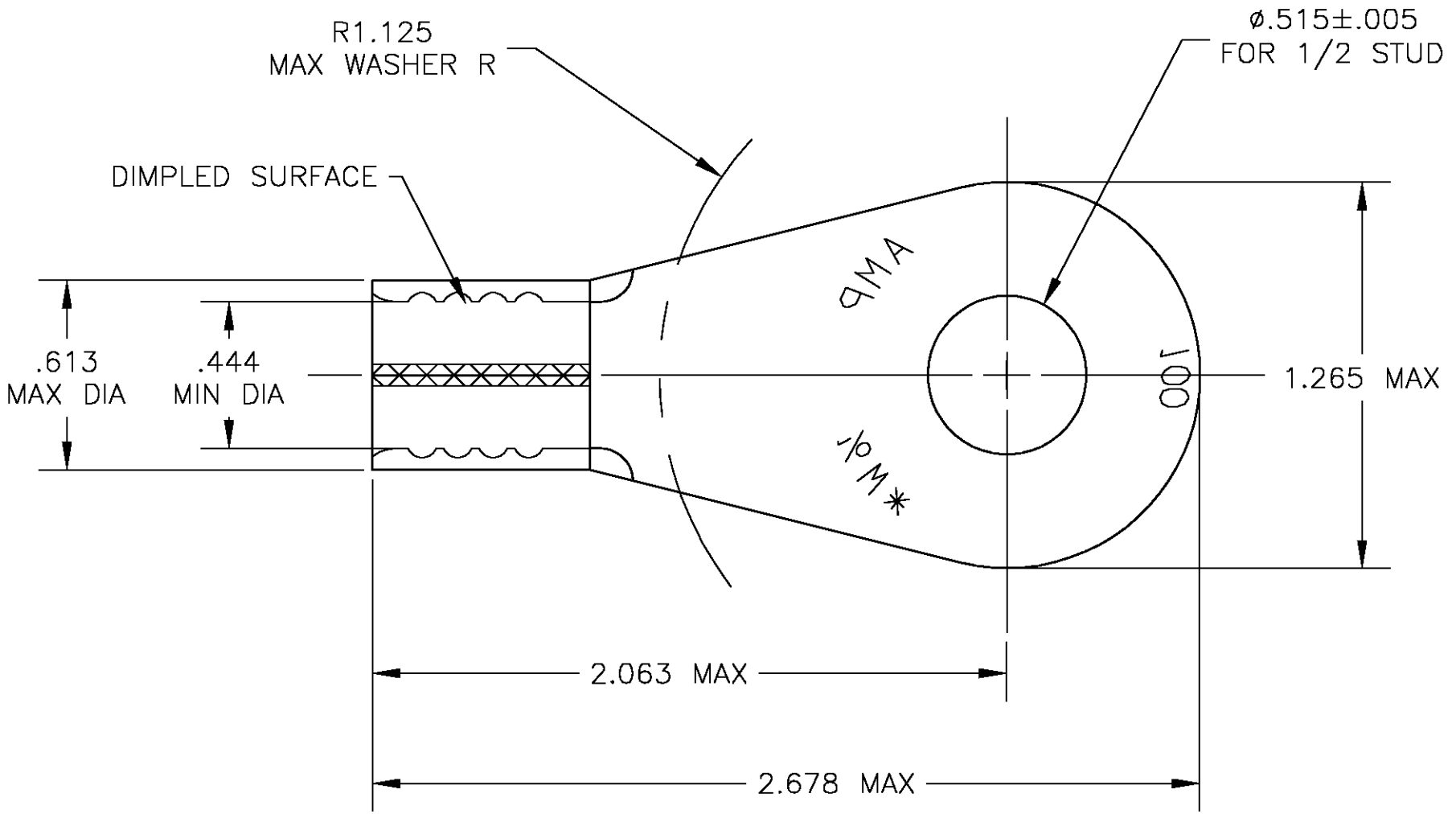


THIS DRAWING IS UNPUBLISHED. RELEASED FOR PUBLICATION
 © COPYRIGHT BY TYCO ELECTRONICS CORPORATION. ALL RIGHTS RESERVED.

LOC	DIST	REVISIONS			
P	LTR	DESCRIPTION	DATE	DWN	APVD
G	14	C	REV PER 0G3A-0354-04	07MAY04	JR MS

- △1 COPPER PER ASTM B-152, ANNEALED
- △2 TIN PLATE PER ASTM B-545
- 3 TONGUE MATERIAL THK IS .070±.003



322291-0
 PART NO

THIS DRAWING IS A CONTROLLED DOCUMENT.		DWN jr_ruth 07MAY04	Tyco Electronics Corporation Harrisburg, Pa 17105-3608		
DIMENSIONS: INCHES		CHK MJ SPICER 07MAY04			
		APVD MJ SPICER 07MAY04	NAME		
TOLERANCES UNLESS OTHERWISE SPECIFIED:		PRODUCT SPEC	WIRE TERMINAL SOLISTRAND, RING TONGUE WIRE SIZE 1/0		
0 PLC ± -		APPLICATION SPEC	SIZE	CAGE CODE	DRAWING NO
1 PLC ± -		—	A3	00779	C-322291
2 PLC ± -		—	RESTRICTED TO		
3 PLC ± .008		—	—		
4 PLC ± -		—	—		
ANGLES ± 5°		WEIGHT	SCALE 2:1 SHEET 1 OF 1 REV C		
MATERIAL		—	CUSTOMER DRAWING		
-1		FINISH	—		
-2		—			